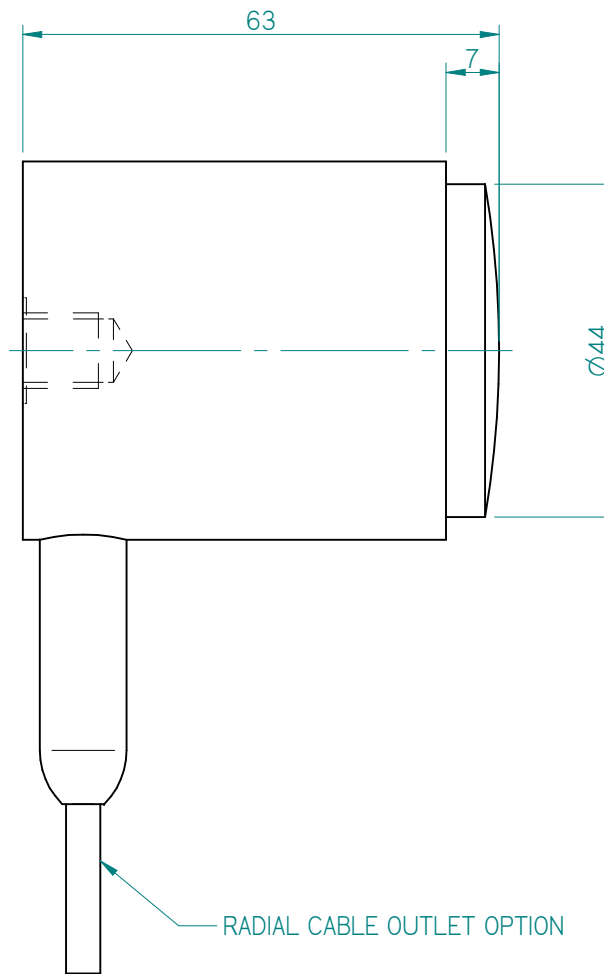
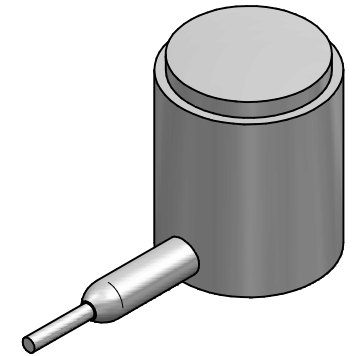


M10x1.5 x 10 DEEP  
TYP 2 PLACES



RADIAL CABLE OUTLET OPTION



1:2

STANDARD RANGES AVAILABLE IN THIS SIZE: 100kN TO 400kN (10 TONNE TO 40 TONNE)

 3RD ANGLE PROJECTION					
	GJP	-	24-10-16	-	1
	DRN	CHK	DATE	C/N No.	ISS

COPYRIGHT/DESIGN RIGHT IN THIS DRAWING IS OWNED BY NOVATECH MEASUREMENTS LTD

IF IN DOUBT, ASK!

DO NOT SCALE

**NOVATECH**  
 NOVATECH MEASUREMENTS LTD  
 83 Castleham Road, St-Leonards-on-Sea, East Sussex, TN38 9NT, England  
 Tel: +44 (0) 1424 852744 Fax: +44 (0) 1424 853002  
 email: info@novatechloadcells.co.uk

TOLERANCES UNLESS OTHERWISE STATED		
WITHOUT DECIMAL	(18)	±0.3
ONE DECIMAL	(18.0)	±0.1
TWO DECIMALS	(18.00)	±0.05
ANGULAR		±1°

GENERAL NOTES  
 CORNERS TO BE CHAMFERED  
 0.3x45° UNLESS OTHERWISE STATED  
 DIMENSIONS IN MILLIMETRES (mm)  
 REMOVE ALL SHARP EDGES

MATERIAL	STAINLESS STEEL			
SCALE	1:1	DRN	GJP	CHK -
ACTIVE AREA	-	GEN FINISH		1.6

TITLE	F218 RADIAL CABLE OUTLINE			
DRG No.	F218-HIRE-01			