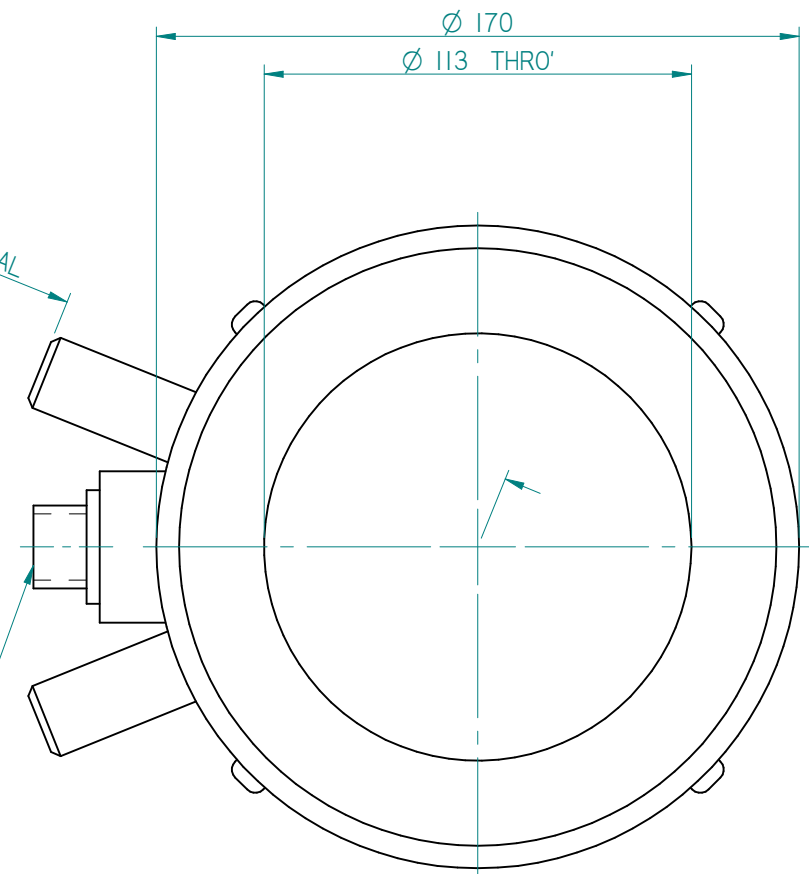
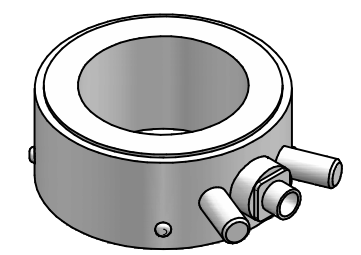


125 NOMINAL



6 PIN MS PLUG

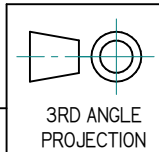


1:5

COPYRIGHT/DESIGN RIGHT IN THIS DRAWING IS OWNED BY NOVATECH MEASUREMENTS LTD

IF IN DOUBT, ASK!

DO NOT SCALE



GJP	-	19-01-11	-	1
DRN	CHK	DATE	C/N No.	ISS

NOVATECH
 NOVATECH MEASUREMENTS LTD
 83 Castleham Road, St-Leonards-on-Sea, East Sussex, TN38 9NT, England
 Tel: +44 (0) 1424 852744 Fax: +44 (0) 1424 853002
 email: info@novatechukdemon.co.uk

TOLERANCES
UNLESS OTHERWISE STATED

WITHOUT DECIMAL	(18)	±0.3
ONE DECIMAL	(18.0)	±0.1
TWO DECIMALS	(18.00)	±0.05
ANGULAR		±1°

GENERAL NOTES
 CORNERS TO BE CHAMFERED
 0.3x45° UNLESS OTHERWISE STATED
 DIMENSIONS IN MILLIMETRES (mm)
 REMOVE ALL SHARP EDGES

MATERIAL	STAINLESS STEEL			
SCALE	1:2	DRN	GJP	CHK -
ACTIVE AREA	-	GEN FINISH		1.6/

TITLE 2000kN / 200 TONNE OUTLINE

DRG No. F209-Z3985-01