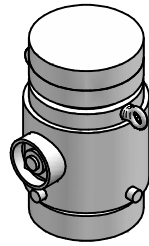
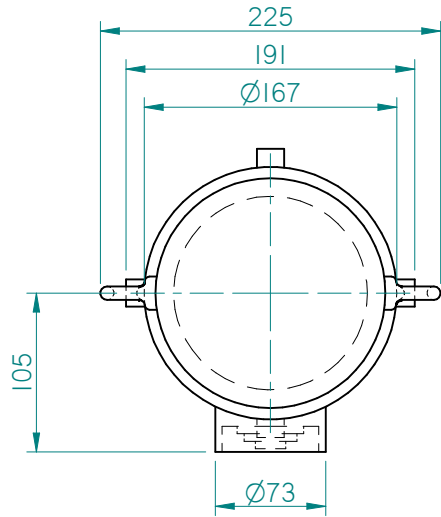
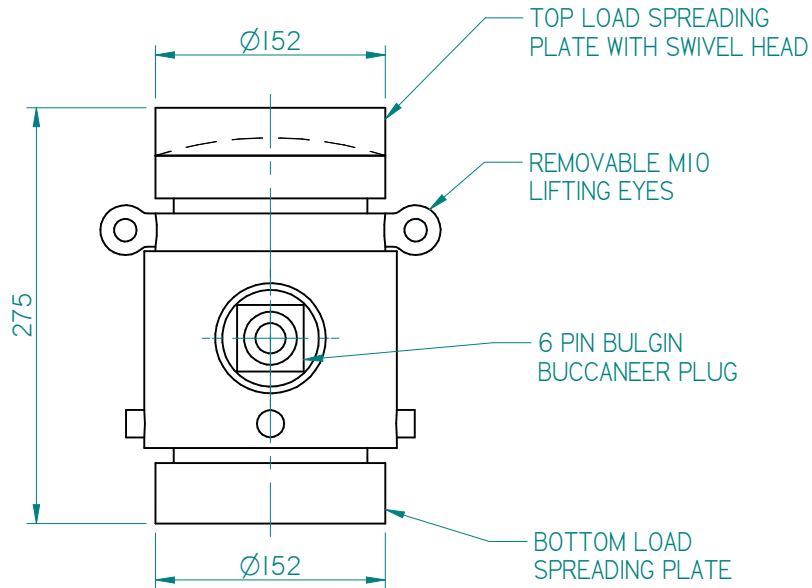


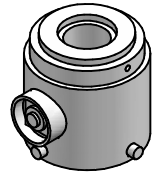
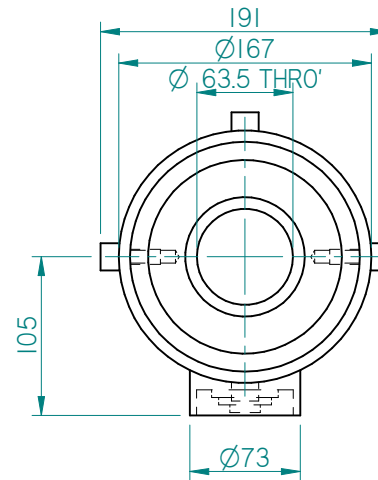
LOADCELL WITH FITTINGS



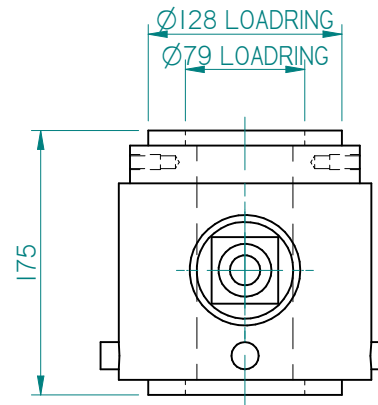
1:10



LOADCELL WITHOUT FITTINGS



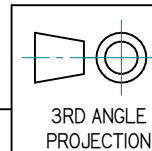
1:10



COPYRIGHT/DESIGN RIGHT IN THIS DRAWING IS OWNED BY NOVATECH MEASUREMENTS LTD

IF IN DOUBT, ASK!

DO NOT SCALE



GJP	-	16-08-06	-	I
DRN	CHK	DATE	C/N No.	ISS

NOVA|TECH

NOVATECH MEASUREMENTS LTD

83 Castleham Road, St-Leonards-on-Sea, East Sussex, TN38 9NT, England
Tel: +44 (0) 1424 852744 Fax: +44 (0) 1424 853002
email: info@novatechukdemon.co.uk

TOLERANCES
UNLESS OTHERWISE STATED

WITHOUT DECIMAL	(18)	±0.3
ONE DECIMAL	(18.0)	±0.1
TWO DECIMALS	(18.00)	±0.05
ANGULAR		±1°

GENERAL NOTES
CORNERS TO BE CHAMFERED
0.3x45° UNLESS OTHERWISE STATED
DIMENSIONS IN MILLIMETRES (mm)
REMOVE ALL SHARP EDGES

MATERIAL **STAINLESS STEEL**

SCALE **1:5**

DRN **GJP** CHK **-**

ACTIVE AREA **-**

GEN FINISH **1.6/**

TITLE **1000kN / 100 TONNE OUTLINE**

DRG No.

F205-Z3451-01