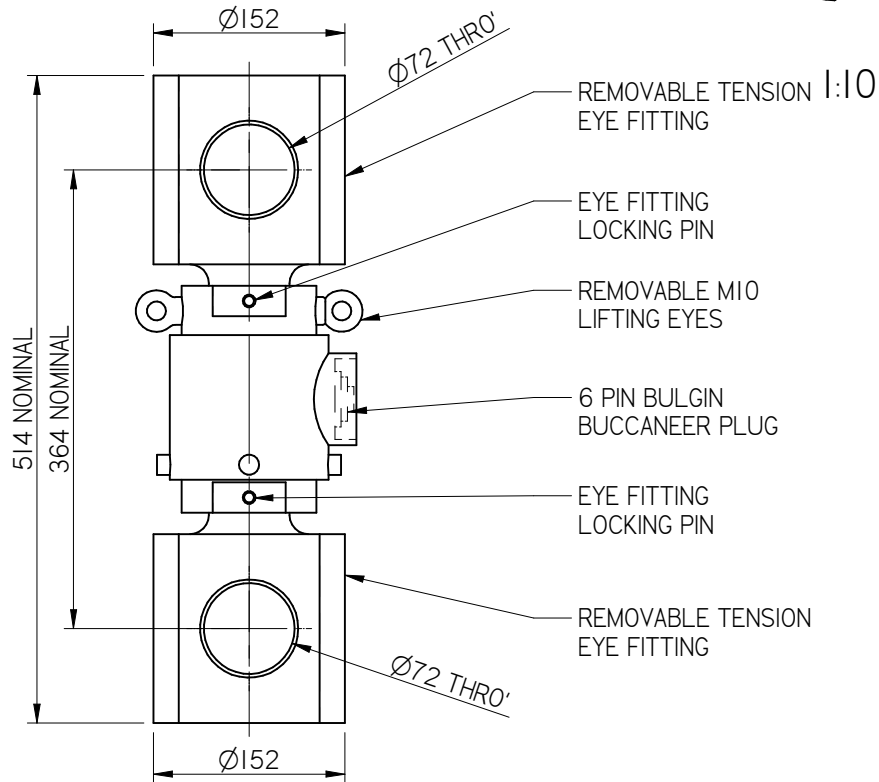
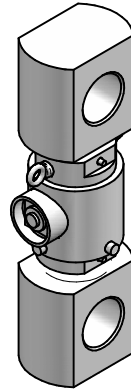
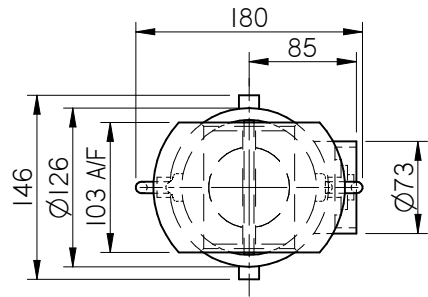
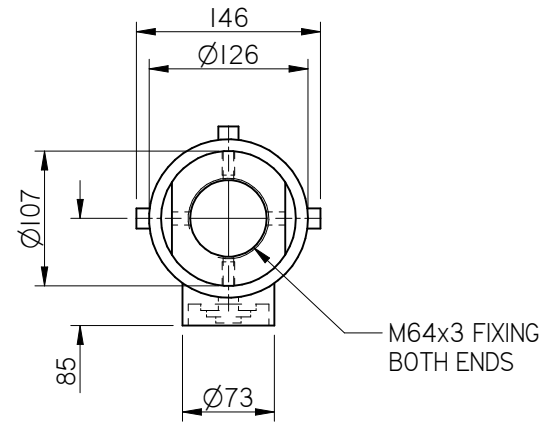


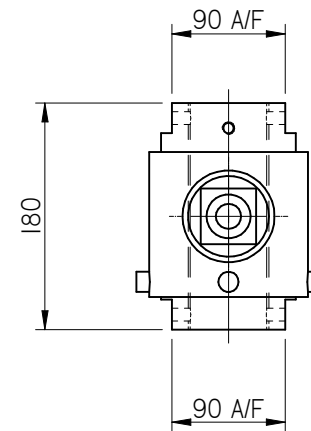
LOADCELL WITH FITTINGS



LOADCELL WITHOUT FITTINGS



1:10



	GJP	-	16-08-06	-	1
	DRN	CHK	DATE	C/N No.	ISS

COPYRIGHT/DESIGN RIGHT IN THIS DRAWING IS OWNED BY NOVATECH MEASUREMENTS LTD

IF IN DOUBT, ASK!

DO NOT SCALE

3RD ANGLE PROJECTION

Novatech

Loadcell Design & Manufacture

83 Castleham Road, St-Leonards-on-Sea, East Sussex, TN38 9NT, England
 Tel: +44 (0) 1424 852744 Fax: +44 (0) 1424 853002
 email: info@novatechloadcells.co.uk

TOLERANCES

UNLESS OTHERWISE STATED
 W/OUT DECIMAL (18) ±0.3
 ONE DECIMAL (18.0) ±0.1
 TWO DECIMALS (18.00) ±0.05
 ANGULAR ±1°

GENERAL NOTES

CORNERS TO BE CHAMFERED 0.3x45° UNLESS OTHERWISE STATED
 DIMENSIONS IN MILLIMETRES (mm)
 REMOVE ALL SHARP EDGES

MATERIAL STAINLESS STEEL

SCALE 1:6 DRN GJP CHK -

ACTIVE AREA - GENERAL FINISH 1.6

TITLE 500kN / 50 TONNE OUTLINE

DRG No. **F204-Z3454-01**