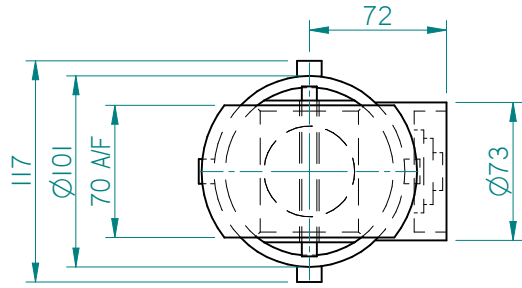
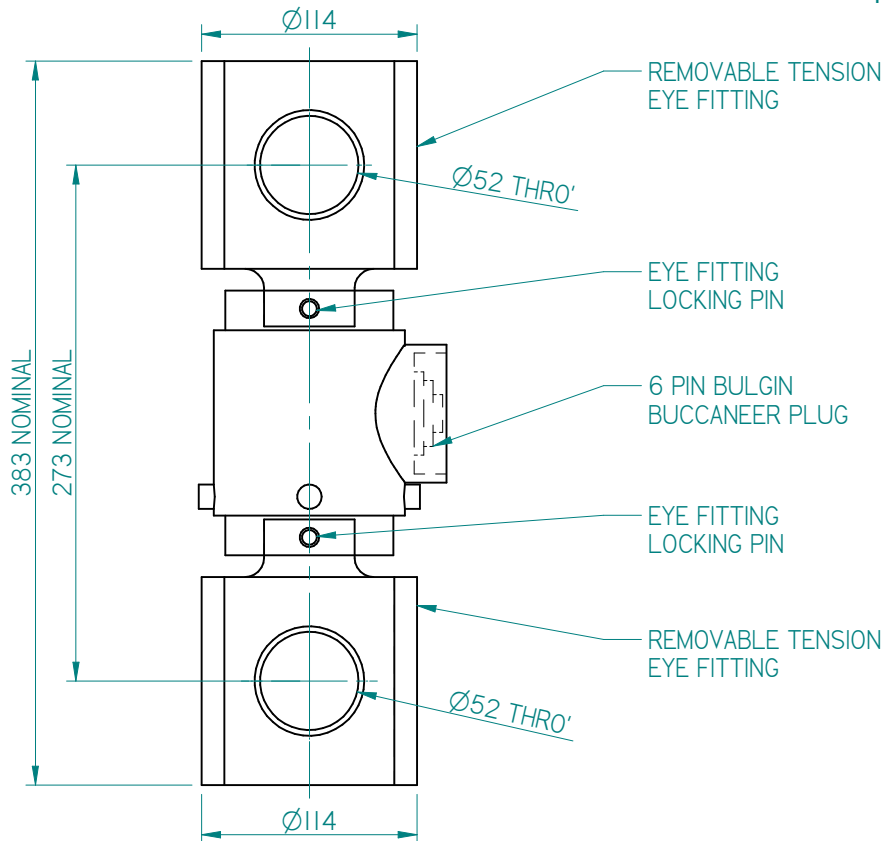


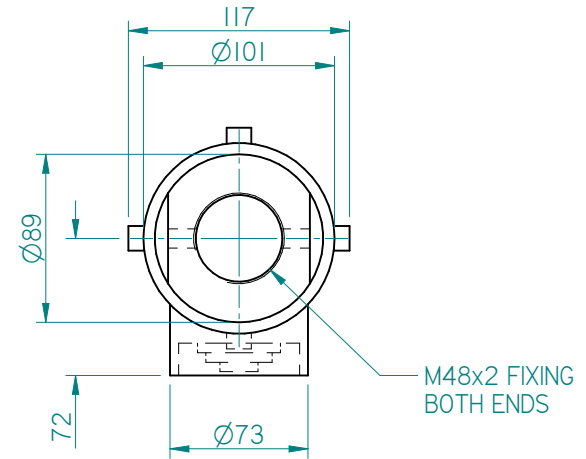
# LOADCELL WITH FITTINGS



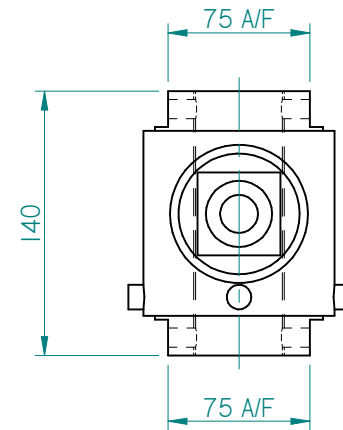
1:10



# LOADCELL WITHOUT FITTINGS



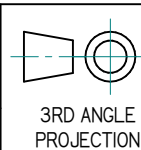
1:10



COPYRIGHT/DESIGN RIGHT IN THIS DRAWING IS OWNED BY NOVATECH MEASUREMENTS LTD

IF IN DOUBT, ASK!

DO NOT SCALE



GJP	-	16-08-06	-	I
DRN	CHK	DATE	C/N No.	ISS

## NOVA|TECH

NOVATECH MEASUREMENTS LTD

83 Castleham Road, St-Leonards-on-Sea, East Sussex, TN38 9NT, England  
Tel: +44 (0) 1424 852744 Fax: +44 (0) 1424 853002  
email: info@novatechukdemon.co.uk

TOLERANCES  
UNLESS OTHERWISE STATED

WITHOUT DECIMAL	(18)	±0.3
ONE DECIMAL	(18.0)	±0.1
TWO DECIMALS	(18.00)	±0.05
ANGULAR		±1°

GENERAL NOTES  
CORNERS TO BE CHAMFERED  
0.3x45° UNLESS OTHERWISE STATED  
DIMENSIONS IN MILLIMETRES (mm)  
REMOVE ALL SHARP EDGES

MATERIAL	STAINLESS STEEL			
SCALE	1:4	DRN	GJP	CHK -
ACTIVE AREA	-	GEN FINISH		1.6/

TITLE 200kN / 20 TONNE OUTLINE

DRG No.

F204-Z3453-01