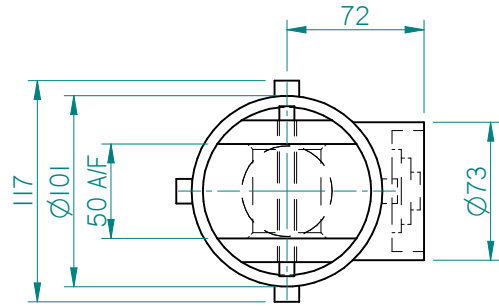
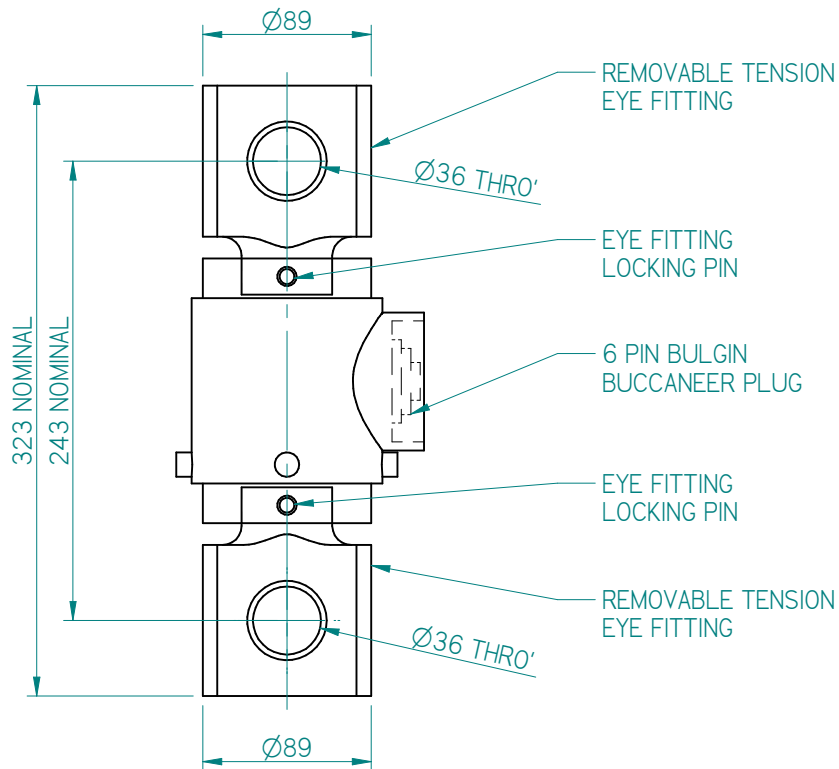


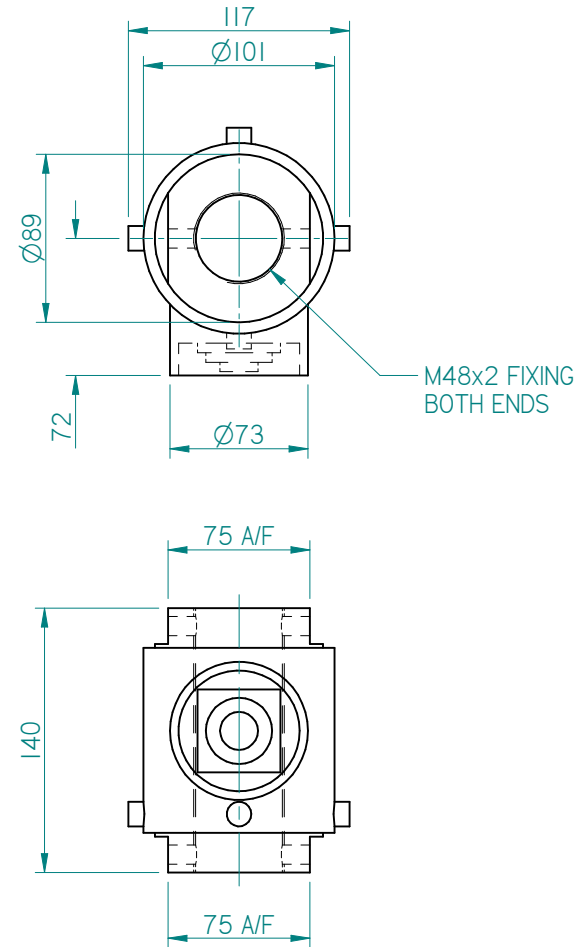
LOADCELL WITH FITTINGS



1:10



LOADCELL WITHOUT FITTINGS

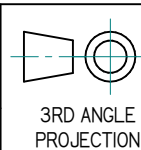


1:10

COPYRIGHT/DESIGN RIGHT IN THIS DRAWING IS OWNED BY NOVATECH MEASUREMENTS LTD

IF IN DOUBT, ASK!

DO NOT SCALE



GJP	-	16-08-06	-	I
DRN	CHK	DATE	C/N No.	ISS

NOVA|TECH

NOVATECH MEASUREMENTS LTD

83 Castleham Road, St-Leonards-on-Sea, East Sussex, TN38 9NT, England
Tel: +44 (0) 1424 852744 Fax: +44 (0) 1424 853002
email: info@novatechukdemon.co.uk

TOLERANCES
UNLESS OTHERWISE STATED

WITHOUT DECIMAL (18) ±0.3
ONE DECIMAL (18.0) ±0.1
TWO DECIMALS (18.00) ±0.05
ANGULAR ±1°

GENERAL NOTES
CORNERS TO BE CHAMFERED
0.3x45° UNLESS OTHERWISE STATED
DIMENSIONS IN MILLIMETRES (mm)
REMOVE ALL SHARP EDGES

MATERIAL	STAINLESS STEEL		
SCALE	1:4	DRN	GJP
ACTIVE AREA	-	CHK	-
		GEN FINISH	1.6

TITLE 100kN / 10 TONNE OUTLINE

DRG No.

F204-Z3452-01