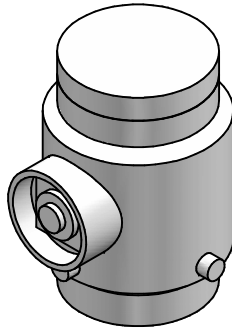
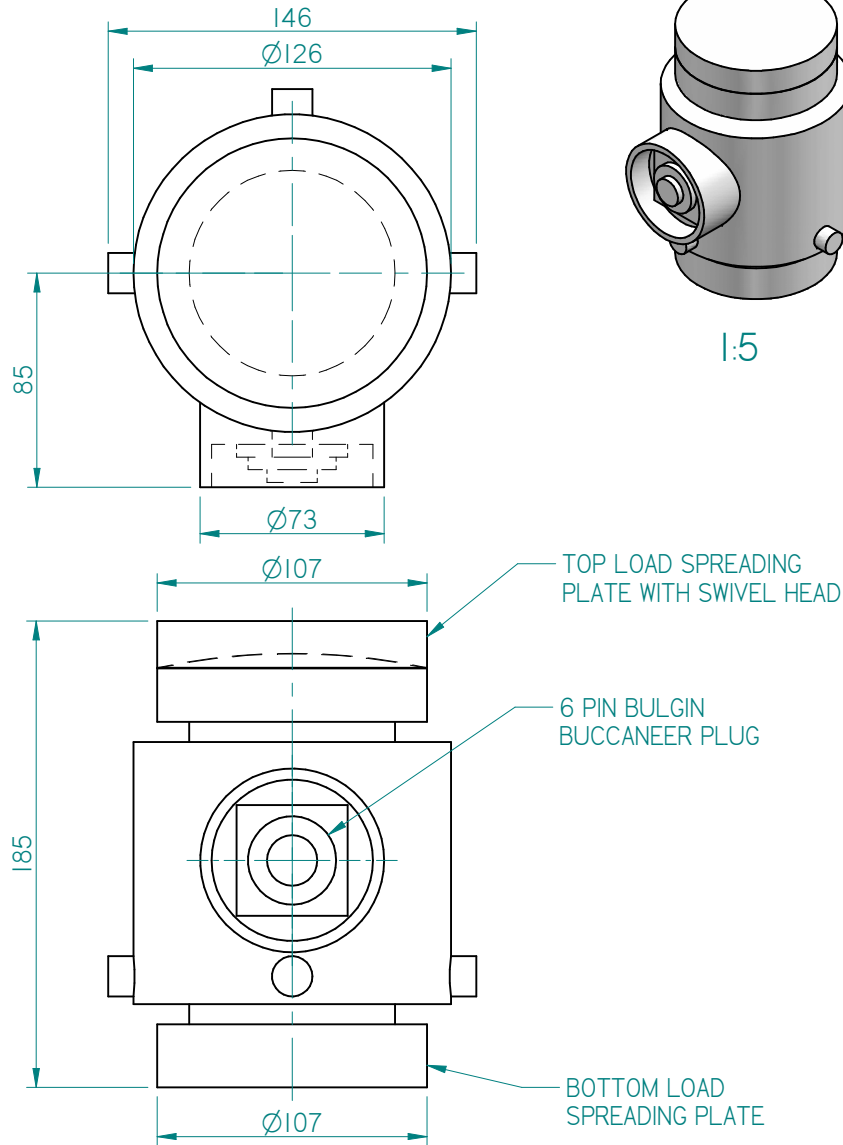
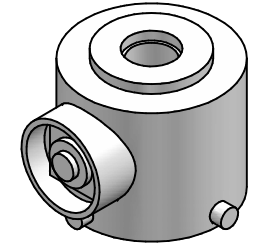
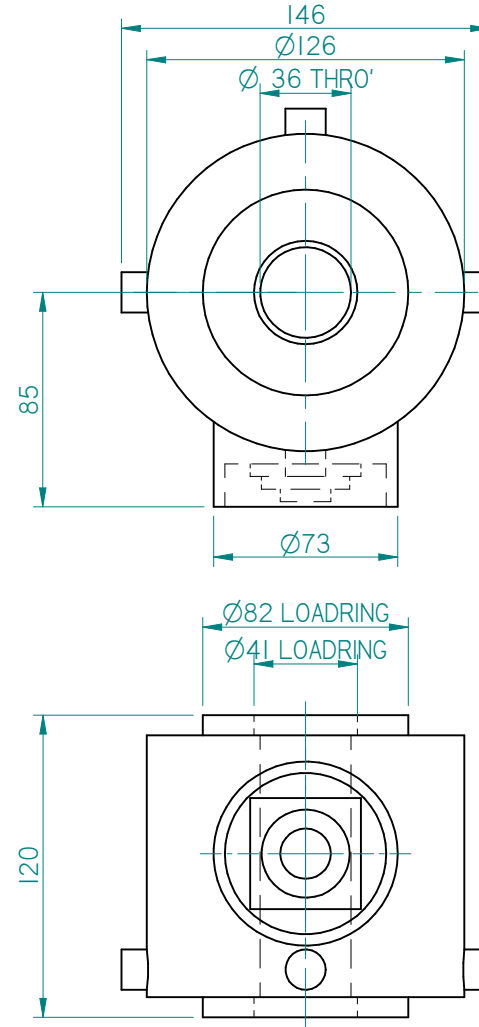


LOADCELL WITH FITTINGS



1:5

LOADCELL WITHOUT FITTINGS

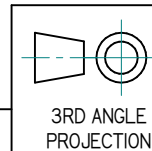


1:5

COPYRIGHT/DESIGN RIGHT IN THIS DRAWING IS OWNED BY NOVATECH MEASUREMENTS LTD

IF IN DOUBT, ASK!

DO NOT SCALE



GJP	-	16-08-06	-	I
DRN	CHK	DATE	C/N No.	ISS

NOVATECH

NOVATECH MEASUREMENTS LTD

83 Castleham Road, St-Leonards-on-Sea, East Sussex, TN38 9NT, England
Tel: +44 (0) 1424 852744 Fax: +44 (0) 1424 853002
email: info@novatechukdemon.co.uk

TOLERANCES

UNLESS OTHERWISE STATED

WITHOUT DECIMAL	(18)	±0.3
ONE DECIMAL	(18.0)	±0.1
TWO DECIMALS	(18.00)	±0.05
ANGULAR		±1°

GENERAL NOTES

CORNERS TO BE CHAMFERED
0.3x45° UNLESS OTHERWISE STATED
DIMENSIONS IN MILLIMETRES (mm)
REMOVE ALL SHARP EDGES

MATERIAL **STAINLESS STEEL**

SCALE 1:3 DRN GJP CHK -

ACTIVE AREA - GEN FINISH 1.6

TITLE **500kN / 50 TONNE OUTLINE**

DRG No.

F203-Z3450-01