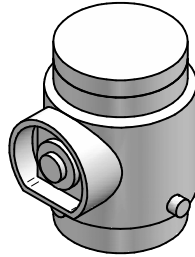
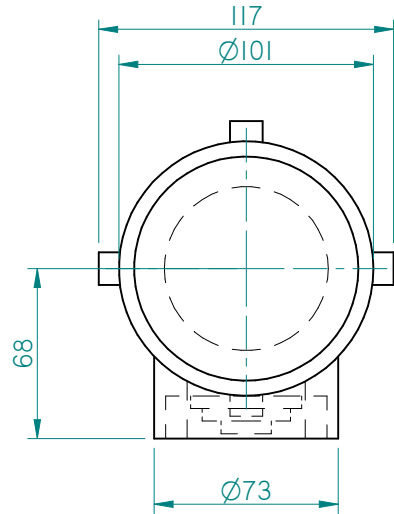
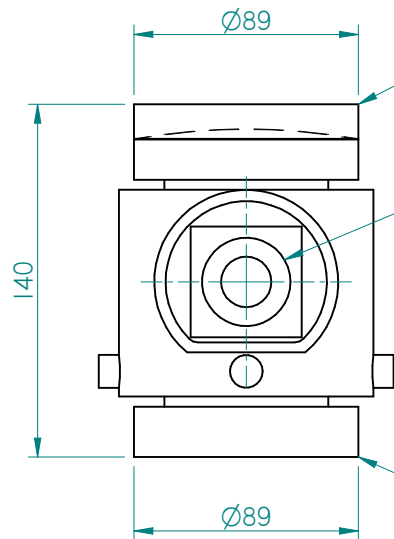


### LOADCELL WITH FITTINGS



1:5

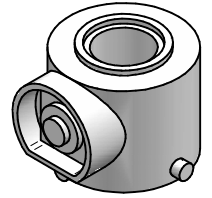
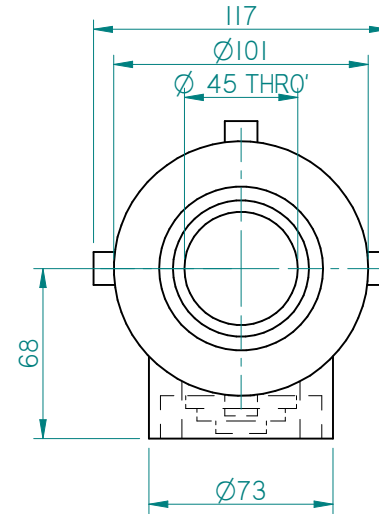


TOP LOAD SPREADING  
PLATE WITH SWIVEL HEAD

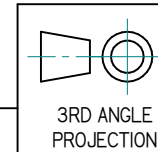
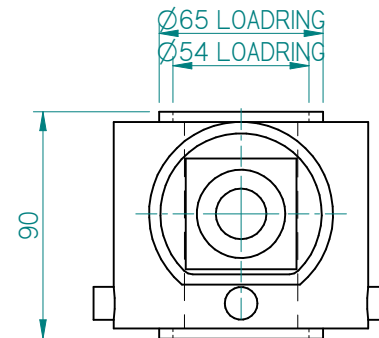
6 PIN BULGIN  
BUCCANEER PLUG

BOTTOM LOAD  
SPREADING PLATE

### LOADCELL WITHOUT FITTINGS



1:5



3RD ANGLE  
PROJECTION

COPYRIGHT/DESIGN RIGHT IN THIS DRAWING IS OWNED BY NOVATECH MEASUREMENTS LTD

IF IN DOUBT, ASK!

DO NOT SCALE

GJP	-	16-08-06	-	I
DRN	CHK	DATE	C/N No.	ISS

# NOVATECH

NOVATECH MEASUREMENTS LTD

83 Castleham Road, St-Leonards-on-Sea, East Sussex, TN38 9NT, England  
Tel: +44 (0) 1424 852744 Fax: +44 (0) 1424 853002  
email: info@novatechukdemon.co.uk

#### TOLERANCES

UNLESS OTHERWISE STATED

WITHOUT DECIMAL	(18)	±0.3
ONE DECIMAL	(18.0)	±0.1
TWO DECIMALS	(18.00)	±0.05
ANGULAR		±1°

#### GENERAL NOTES

CORNERS TO BE CHAMFERED  
0.3x45° UNLESS OTHERWISE STATED

DIMENSIONS IN MILLIMETRES (mm)

REMOVE ALL SHARP EDGES

MATERIAL **STAINLESS STEEL**

SCALE 1:3 DRN GJP CHK -

ACTIVE AREA - GEN FINISH 1.6

TITLE **100kN / 10 TONNE OUTLINE**

DRG No.

**F202-Z3449-01**